



Food & Beverage



Industrial

KMC Series

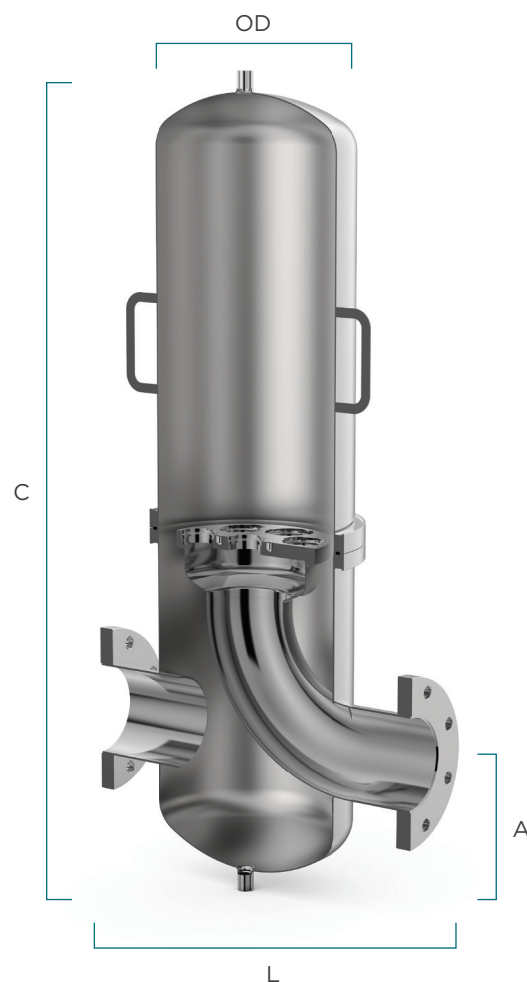
**FILTER HOUSINGS
SANITARY GAS FILTRATION**

SPECIFICATIONS

Dimensions are for standard housings with TC 1.5" connections (Single Round) and Flange connections (Multi Round) only. More options available on request. All dimensions are in mm (inches).

No Cartridges	Cartridges Height	A	L	C	OD
1	5"	99 (3.9)	137 (5.39)	400 (15.75)	88.9 (3.5)
1	10"	99 (3.9)	137 (5.39)	520 (20.47)	88.9 (3.5)
1	20"	99 (3.9)	137 (5.39)	770 (30.31)	88.9 (3.5)
1	30"	99 (3.9)	137 (5.39)	1020 (40.16)	88.9 (3.5)
1	40"	99 (3.9)	137 (5.39)	1270 (50)	88.9 (3.5)
3	10"	209 (8.23)	454 (17.87)	777 (30.59)	219 (8.62)
3	20"	209 (8.23)	454 (17.87)	1027 (40.43)	219 (8.62)
3	30"	209 (8.23)	454 (17.87)	1277 (50.28)	219 (8.62)
3	40"	209 (8.23)	454 (17.87)	1527 (60.12)	219 (8.62)
5	30"	235 (9.25)	505 (19.88)	1361 (53.58)	273 (10.75)
5	40"	235 (9.25)	505 (19.88)	1611 (63.43)	273 (10.75)
8	30"	283 (11.14)	581 (22.87)	2005 (78.94)	320 (12.6)
8	40"	283 (11.14)	581 (22.87)	2255 (88.78)	320 (12.6)
12	30"	345 (13.58)	659 (25.94)	1644 (64.72)	400 (15.75)
12	40"	345 (13.58)	659 (25.94)	1894 (74.57)	400 (15.75)
19	30"	355 (13.98)	709 (27.91)	1704 (67.09)	450 (17.72)
19	40"	355 (13.98)	709 (27.91)	1954 (76.93)	450 (17.72)
24	30"	391 (15.39)	773 (30.43)	1732 (68.19)	500 (19.69)
24	40"	391 (15.39)	773 (30.43)	1982 (78.03)	500 (19.69)
32	30"	386 (15.2)	823 (32.4)	1740 (68.5)	550 (21.65)
32	40"	386 (15.2)	823 (32.4)	1990 (78.35)	550 (21.65)

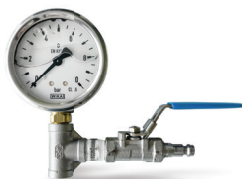
Materials of Constructions (Wetted Parts)	316L / 1.4404
No. Of Cartridges	1, 3, 5, 8, 12, 19, 24, 32
Cartridge Socket	226 CODE 7
In/Out Connections	Clamp ASME BPE, CLAMP JIS/ISO, DIN 11851, Butt Weld, ASME and EN Flanges, Flanges JIS, BSP, NPT
Drains and Vent	Clamp ASME BPE, CLAMP JIS/ISO, BSP, NPT
Lateral Port	Clamp ASME BPE, HOSEBARB, STAUBLI TBE 3, RECTUS 21, CLAMP JIS/ISO 8A
Pressure (PS) min-max	-1÷16 bar (-14÷232 psi)
Pressure (PS) min-max (JAPAN VERSION)	-1÷9.9 bar (-14.5÷143.6 psi)
Temperature (TS) min-max	-20°÷150°C (-4°÷302°F)
External Surface	Single Round: Mirror Polished Multi Round: Shot Peened
Internal Surface	Single Round: Mechanical Polishing Multi Round: Upstream pickled and Downstream Mechanical Polishing
Downstream Roughness	Ra<0.8µm (Ra<32µin) Ra<0.4µm (Ra<16µin)
ATEX Regulation	Compliant with EU Directive
PED 2014/68/EU	Gas, PED Fluid Group 2
Design Code	EN 13445
Housing and Gasket Materials	EU 1935/2004 - FDA - USP VI



ACCESSORIES

Full list of accessories and spare parts available on request.

VENT BSPM BALL VALVE



VENT TC VALVE + CLAMP



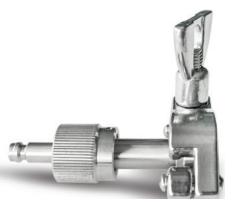
BALL VALVE HOSE ADAPTER



BALL VALVE TC + CLAMP



SAMPLING TEST TC + CLAMP



PRESSURE GAUGE BSPM



alteco srl

Via Micheline, 2
37030 Colognola ai Colli (VR) Italy
tel. +39 045 8650535
fax +39 045 8650774
alteco@altecnet.com
www.altecnet.com

THE INFORMATION CONTAINED IN THIS BROCHURE, INCLUDING TEXT, GRAPHICS, IMAGES AND INFORMATION, CONTAINED ON OR AVAILABLE THROUGH THIS BROCHURE, IS PROVIDED AS IS AND WITHOUT ANY WARRANTIES OF ANY KIND, WHETHER EXPRESSED OR IMPLIED, INCLUDING BUT NOT LIMITED TO, IMPLIED WARRANTIES OF MERCHANTABILITY, OF SATISFACTORY QUALITY, FITNESS FOR A PARTICULAR PURPOSE AND/OR CORRECTNESS. THE CONTENTS OF THIS BROCHURE IS FOR GENERAL INFORMATION PURPOSES ONLY AND DOES NOT CONSTITUTE ADVICE. ALTECO S.R.L. DOES NOT REPRESENT OR WARRANT THAT THE INFORMATION AND/ OR SPECIFICATIONS CONTAINED IN THIS BROCHURE ARE ACCURATE, COMPLETE OR CURRENT AND SPECIFICALLY STIPULATE THAT CERTAIN PRODUCT DETAILS AND SPECIFICATIONS CONTAINED IN THIS BROCHURE MAY DIFFER IN AVAILABLE PRODUCTS. THEREFORE, ALTECO S.R.L. MAKES NO WARRANTIES OR REPRESENTATIONS REGARDING THE USE OF THE CONTENT, DETAILS, SPECIFICATIONS OR INFORMATION CONTAINED IN THIS BROCHURE IN TERMS OF THEIR CORRECTNESS, ACCURACY, ADEQUACY, USEFULNESS, TIMELINESS, RELIABILITY OR OTHERWISE, IN EACH CASE TO THE FULLEST EXTENT PERMITTED BY LAW.

All products and company names are trademarksTM or registered[®] trademarks of their respective holders. Use of them does not imply any affiliation with or endorsement by them. Any names, logos, brands, and other trademarks or images featured or referred to within this brochure are the property of their respective trademark holders. These holders are not affiliated with Alteco S.r.l., or our products. They do not sponsor or endorse Alteco S.r.l. or any of our products.